

MANUAL

SF 150S



Technical data

Current: 200-240 V, 50-60 Hz

Max vacuum: >2100 mm Vp

Air flow: 150 m³/h

Filter: 2-layer filter (Fine- and Micro-filter), with an efficiency of 99,997% for particles >0,0003 mm. A carbon filter is fitted with 3 kg of carbon.

Handling

Attach one end of the hose to the inlet pipe of the smoke filter and the other end to the nozzle.

SF 150SL is suitable for light soldering.

Maintenance

The SF 150SL bottom is used for collecting dust that hasn't reached the filter. The bottom is easily accessible by releasing the quick clamp holding the top and bottom parts together. The bottom must be checked and cleaned regularly.

Changing the filter

Please note that the SF 150SL is equipped with an automatic switch that will cut the current supply to the engines when the filter is full. The filter is changed by disconnecting the nut holding it and then replaced with a new one. At the same time the carbon filter is changed.

N.B! ALWAYS change the filter if it is full. Cleaning the filter will damage it and may cause engine breakdown.

Service

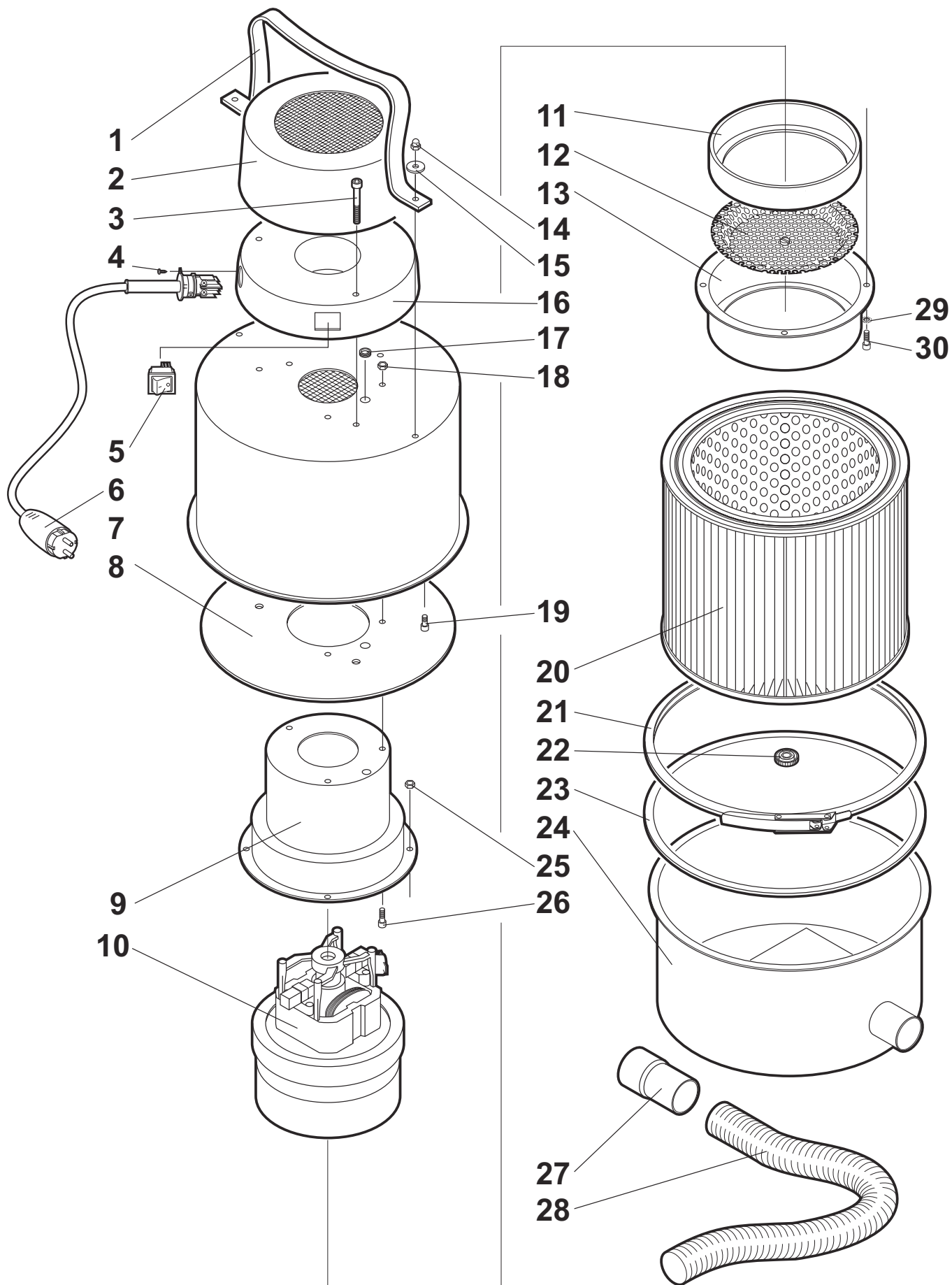
After 1000-1200 working hours, the engine carbon-brushes must be changed. Your retailer will do that for you.

Trouble shooting

When the filter is full the engines will switch off. After changing filters, the smoke filter should start running again. If the filter doesn't start again a replacement of carbon brushes can be suitable. Please contact your retailer for service.

FUMEX®

Verkstadsvägen 2, 931 61 SKELLEFTEÅ, Sweden
Skellefteå: Tel. 0910-361 80, Fax 0910-13022
www.fumex.se info@fumex.se



FUMEX®

Verkstadsvägen 2, 931 61 SKELLEFTEÅ, Sweden
 Skellefteå: Tel. 0910-361 80, Fax 0910-13022
 www.fumex.se info@fumex.se