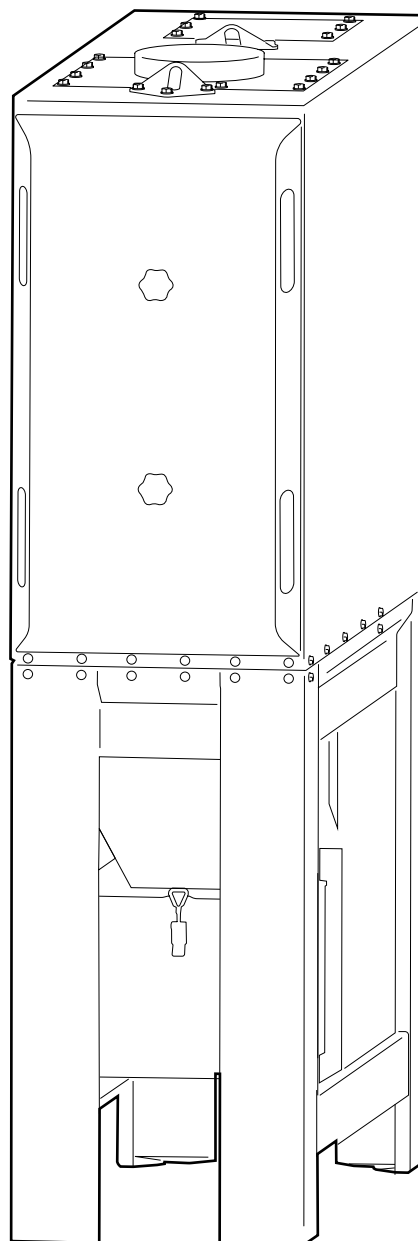




CFE

PRE-COATING



1.1 Pre-coating



Do not clean with compressed air immediately after pre-coating has been applied so as not to dislodge the protective coating.

The pre-coat can be ordered together with spare filter.

To attain maximum service life for the filter cartridges, these must usually be pretreated. Pretreatment or "pre-coating" consists of introducing particles into the filter cartridge as follows:

1. Disconnect the dust collector and divide the particles equally between the total modules (1 kg/cartridge).
2. Start the fan at full speed and extract all the dust. Dispense the powder in an even flow so that the suction rate is approximately 20 sec/1 kg, see illustration.
3. The filter is now ready for operation.



EXTRACTION ARMS · VEHICLE EXHAUST EXTRACTION · FANS · FILTERS · CURTAINS · CONTROLS

FUMEX

Verkstadsvägen 2, 93161 Skellefteå, Sweden • Tel.: +46 910-361 80 • Fax: +46 910-130 22 • E-mail: info@fumex.se

www.fumex.com