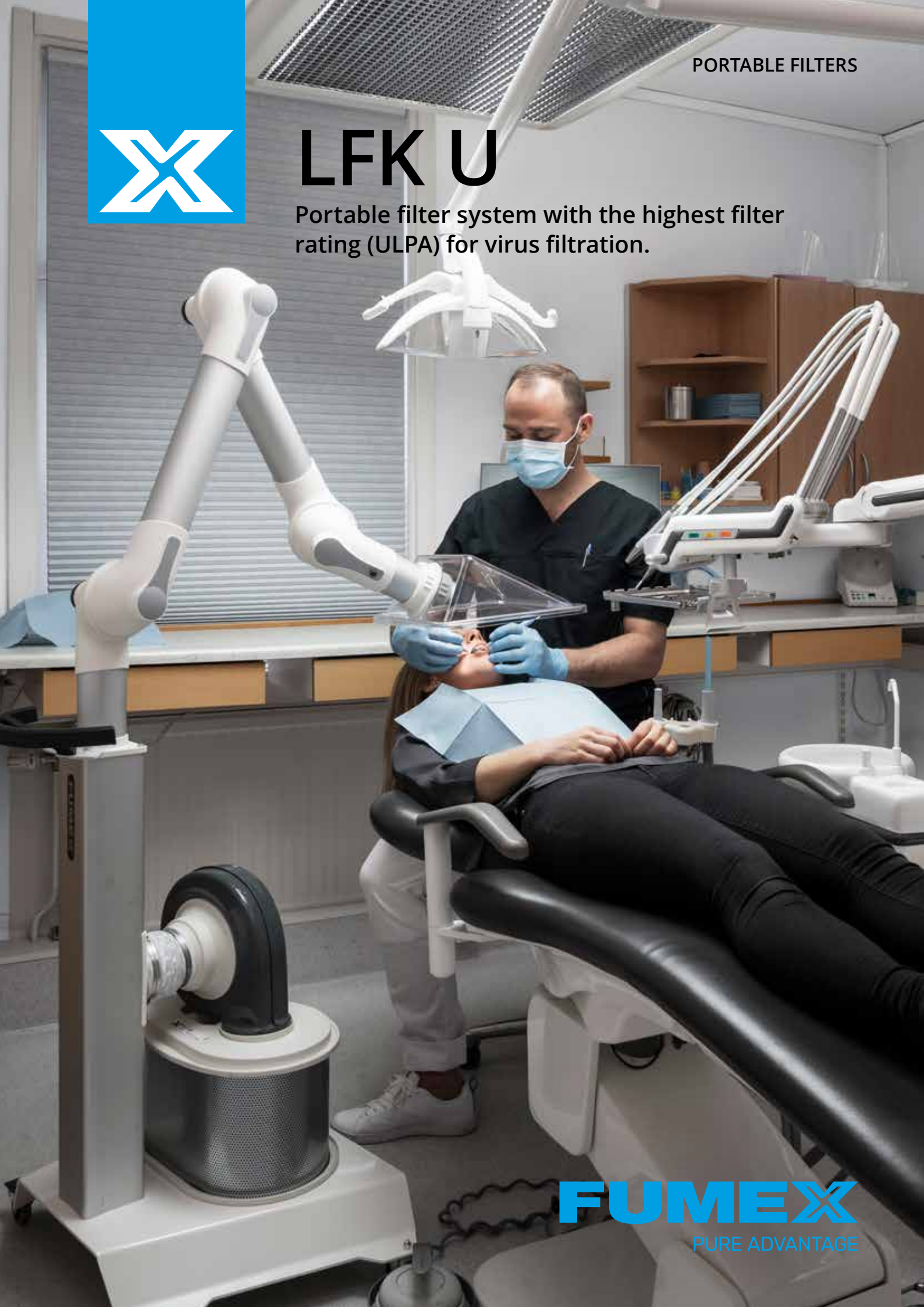


PORTABLE FILTERS



LFK U

Portable filter system with the highest filter rating (ULPA) for virus filtration.



FUMEX
PURE ADVANTAGE

LFK U

- Filter FPU 50
- Fan FF 100
- Hose SL-100LF
- Flexible table bracket MBF
- Extractor arm MEB 1300-50/75
- Suction Nozzle MES 300-50/75

LFK U on LF TR

- Filter FPU 50
- Fan FF 100
- Hose SL-100LF
- Portable Trolley LF TR
- Extractor arm MEB 1300-50/75
- Suction Nozzle MES 300-50/75



Portable filter system for environments where protection against viruses is essential, e.g. dental clinics, healthcare facilities and laboratories.

FUMEX LFK U is an effective and flexible solution consisting of a fan, filter and extraction arm in a single unit. It is highly suitable for use in healthcare environments where exhaled air, which could potentially contain viruses or residues from inhaled medicines, can be problematic.

Fumex LFK U is available in two versions: **LFK 150U** with a Ø50 mm extractor arm, and **LFK 175U** with a Ø75 mm extractor arm. LFK U works according to the low-vacuum principle, which entails a very low risk of filter failure, produces little noise and has low power requirements.

For maximum efficiency, Fumex LFK U is equipped with a highly efficient filter (ULPA 15 rating), an optimised fan with a reliable EC motor with speed control

and a flexible ME extractor arm, which features the lowest pressure drop on the market.

Among the accessories is the **LF TR**, a portable trolley on lockable wheels with bracket for the ME extractor arm. **LF TR** is compact and easily blends into the work environment.

The fan and filter can be combined with other extractors available in Fumex range of products.

Virus filtration

Viruses in dry form have a size of 0.08-0.12 µm but are usually bound to an aerosol and are therefore almost always larger. A ULPA filter is very good at filtering these particles.

Fumex LFK U has an ULPA filter (FPU 50) as standard. The filter is rated ULPA 15 and tested in accordance with EN 1822-1 and has a separation efficiency >99.9995%.

The filter is tested using the MPPS (Most Penetrating Particle Size) method with a size of 0.17 µm, which is the most difficult size for a filter to capture. For smaller or larger particles, the filter has higher separation efficiency.

The filter test is carried out at flow of 100 m³/h (28 l/s) per m² filter area. At higher flows per m², the filter efficiency is reduced. Fumex FPU 50 has a filter area of 4,8 m² and can thus tolerate a flow of up to 480 m³/h without diminished separation efficiency.

The FPU 50 filter should be replaced once a year.

Aerodynamic diameter (µm) of particles and probable accumulation area in the respiratory system.

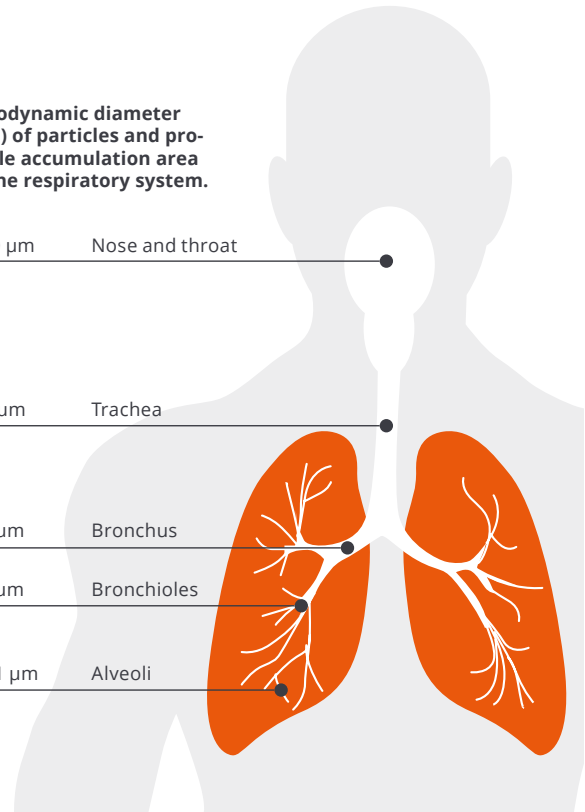
5-10 µm Nose and throat

3-5 µm Trachea

2-3 µm Bronchus

1-2 µm Bronchioles

0.1-1 µm Alveoli



Accessories



MOBILE TROLLEY LF TR

Mobile trolley for LFK U with lockable swivel wheels and bracket for ME extractor arm.

Art. no: LF TR

Dimensions (HxWxD): 937x750x597 mm

Weight: 15,5 kg



EXHAUST AIR ADAPTER

Art. no: LF VTA

Ø125 mm exhaust air duct connector. Cannot be combined with LF TR.



FLEXIBLE SUCTION NOZZLE

Art. no:

MEFS 600-50 (Ø50 mm)

MEFS 600-75 (Ø75 mm)

Length: 600 mm



SQUARE HOOD

Art. no:

MESH 350-50 (Ø50 mm)

MESH 350-75 (Ø75 mm)

Dimensions: 300x360 mm



FLAT SCREEN HOOD

Art. no:

MEPH 300-50 (Ø50 mm)

MEPH 300-75 (Ø75 mm)

Dimensions: 300x195 mm



DOME HOOD

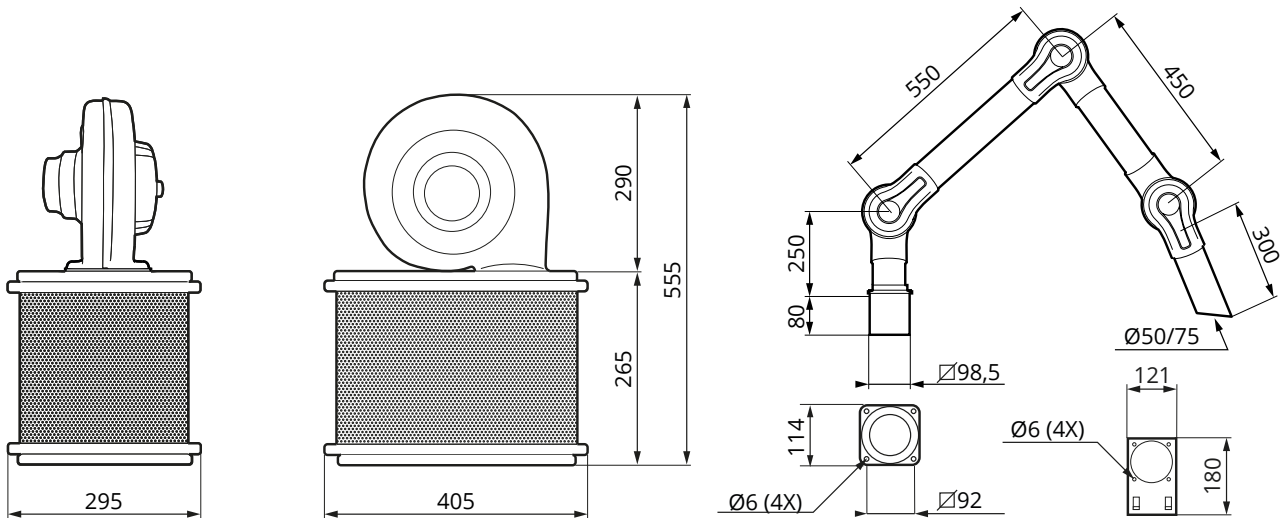
Art. no:

MEK 350-50 (Ø50 mm)

MEK 350-75 (Ø75 mm)

Dimension: Ø350 mm

Dimensional drawing (mm)



Specifications

Form of delivery

The complete kit for easy installation contains:

- Fan FF 100
- Filter FPU 50
- Hose SL-100LF, 3 m
- Table mount MBF

including:

- LFK 150U**
 - Extractor arm MEB 1300-50
 - Suction Nozzle MES 300-50
- LFK 175U**
 - Extractor arm MEB 1300-75
 - Suction Nozzle MES 300-75

Surface finishing

Sheet metal parts Powder coated, galvanised
Aluminium parts Anodised

Filter

Particle filter designed to meet the highest filtration requirements (ULPA 15 rating), tested in accordance with EN 1822-1 with separation efficiency >99.9995% MPPS.

Hose type

PVC-coated polyamide fabric with fully embedded spring steel coil. Temperature range -10 °C to 90 °C.

Fan

Fan housing in ABS plastic. EC motor with variable speed control in two versions:

| Article | Voltage | Rated current (A) | Power | Frequency |
|-------------|----------|-------------------|-------|-----------|
| FF 100-230V | 200-240V | 1,32 A | 165 W | 50-60 Hz |
| FF 100-115V | 100-130V | 2,1 A | 145 W | 50-60 Hz |

| | |
|-----------------|----------|
| Sound level | 60 dB(A) |
| Max temperature | 50 °C |

Recommended air flow:

| | |
|-----------|--------------------------------|
| LFK 150U: | 75 m ³ /h (21 l/s) |
| LFK 175U: | 150 m ³ /h (42 l/s) |

Weight

| | |
|----------|-------|
| LFK 150U | 12 kg |
| LFK 175U | 13 kg |