

## *Flexible rail solution for welding extraction*



For a flexible welding solution, the APS-rail, can be supplied with one or more trolleys equipped with the PR welding fume extractor.

The unique design of the profile rail has distinct advantages for installation, during use and formaintenance:

- The market's lowest pressure drop means low operating costs.
- A rubber flap naturally seals the air gap, minimising leaks.
- Simple fitting of the rubber flap.
- Profile edge on the rear of the rail makes fitting simpler.

The PR extractor gives many important advantages:

- Unique ease of manoeuvrability.
- High position stability
- Hood designed for maximum capture

PR's design is based on FUMEX's basic principles with an external arm support.

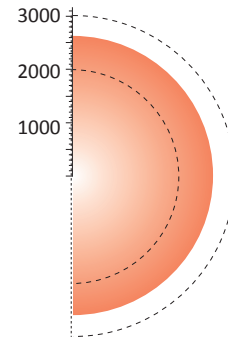
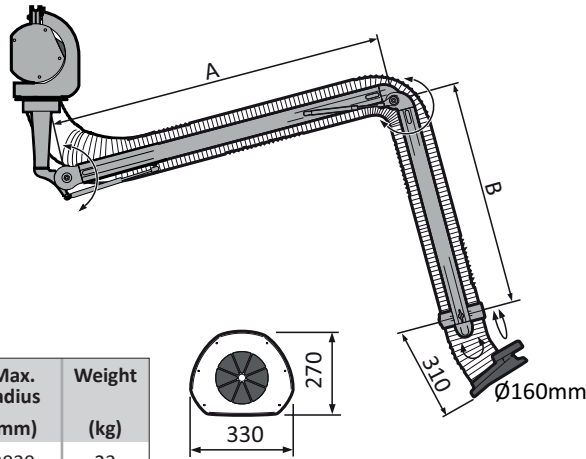
Fumex recommends at least one piece Ø160 mm connection, either from the side or from the back of the rail, per trolley.

The rail is connected to a separate fan or central exhaust system.

*The Fumex range also includes fans, accessories and control devices suitable for local extractors*

---

**LOCAL EXTRACTOR**  
**Pure advantage**

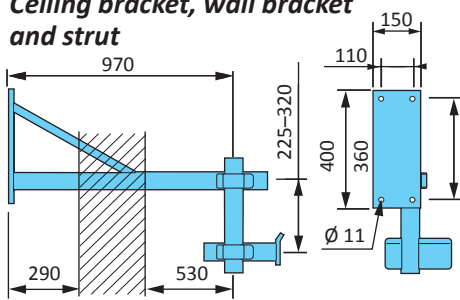


	A (mm)	B (mm)	Working radius (mm)	Max. radius (mm)	Weight (kg)
PR 2000	950	490	1440	2030	23
PR 3000	1450	990	2690	3030	25

Working radius  
Max. radius

At a mounting height of 2.1 m and a working height of 750 mm.

**Ceiling bracket, wall bracket and strut**

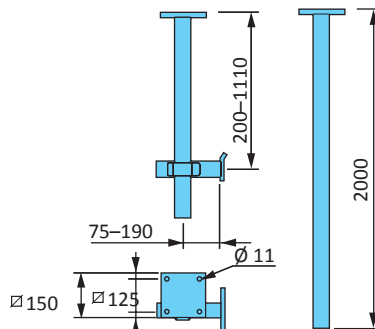


**Wall bracket, adjustable**

Powder coated steel. Max length 1.0 m. The bracket sections are joined using Layher connectors.

Weight: 12.3 kg

Wall bracket		
Item No.	Description	Length
APS 210	Adjustable wall bracket	max 1000 mm

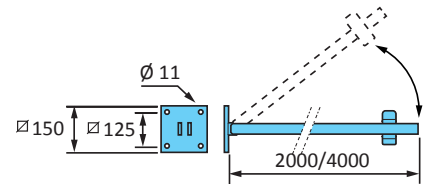


**Ceiling bracket, adjustable**

Powder coated steel. Adjustable length, 140–2000 mm. The bracket sections are joined using Layher connectors.

Weight: 1000 mm – 7.6 kg, 2000 mm – 10 kg

Ceiling bracket		
Item No.	Description	Length
APS 200	Adjust. ceiling bracket	max 1000 mm
APS 205	Adjust. ceiling bracket	max 2000 mm

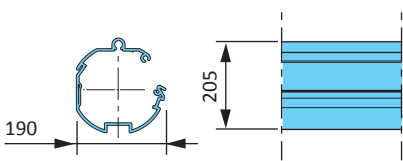


**Strut, ceiling or wall fixing**

Powder coated steel. Length 2 or 4 m. Turnable Layher connectors.

Weight: 2000 mm – 7.3 kg, 4000 mm – 13.4 kg

Strut		
Item No.	Description	L
AS 222	Strut pipe with plate	2000 mm
AS 224	Strut pipe with plate	4000 mm

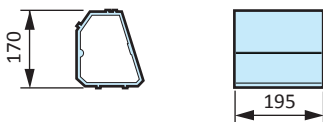


**Profile rails**

Made from anodised aluminium, with a track picture for simple fitting of the bracket and rubber strip. Available in metre intervals up to six metres.

Weight/metre: 6 kg

Profile rails		
Item No.	Description	L
APS 300/60	Standard length	6 m
APS 300/30	Length	3 m
APS 300/10	Length	1 m

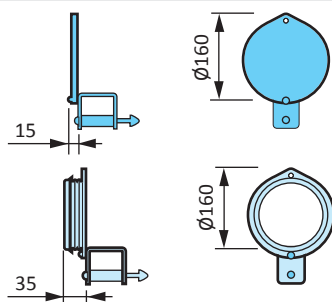


**Joint**

Anodised aluminium. Used for rail joints longer than six metres.

Weight: 1.2 kg

Joint	
Item No.	Description
APS 310	Joint section



**Gable with end stop**

Powder coated steel. The end stop consists of a gas damper to capture the trolley.

Weight: 1.6 kg

Gable with end stop	
Item No.	Description
APS 405	End stop with gas damper

**Gable with duct connection**

Powder coated steel. Duct connection Ø 160 mm. The end stop consists of a gas damper to capture the trolley.

Weight: 1.3 kg

Gable with duct connection	
Item No.	Description
APS 415	End stop with duct connection

