



# C 600

Centrifugal fan for smaller applications



**FUMEX C 600**  
optimised for  
Fumex industrial  
systems.

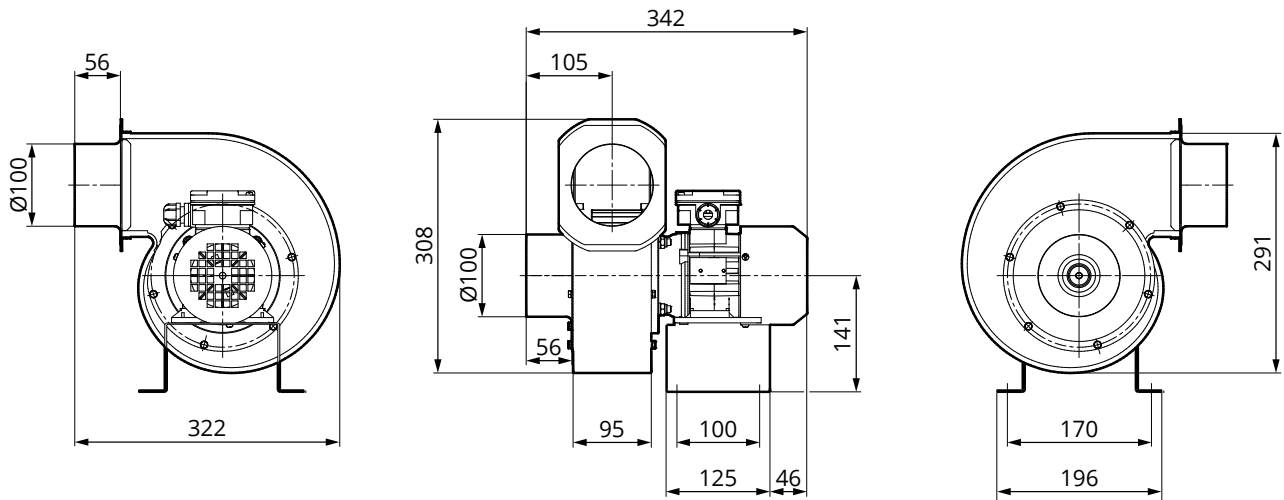


## Centrifugal fan for smaller applications.

**FUMEX C 600** – a compact and sturdy fan which can be installed both indoors and outdoors, designed for industrial environments. The forward-curved impeller expels non-explosive gases, fumes and lighter particles with an airflow of up to 600 m<sup>3</sup>/h (165 l/s).

The fan is optimised for use together with Fumex systems for fume extraction and automatic control. C 600 is available in both 1-phase and 3-phase versions.

## Dimensional drawing (mm)



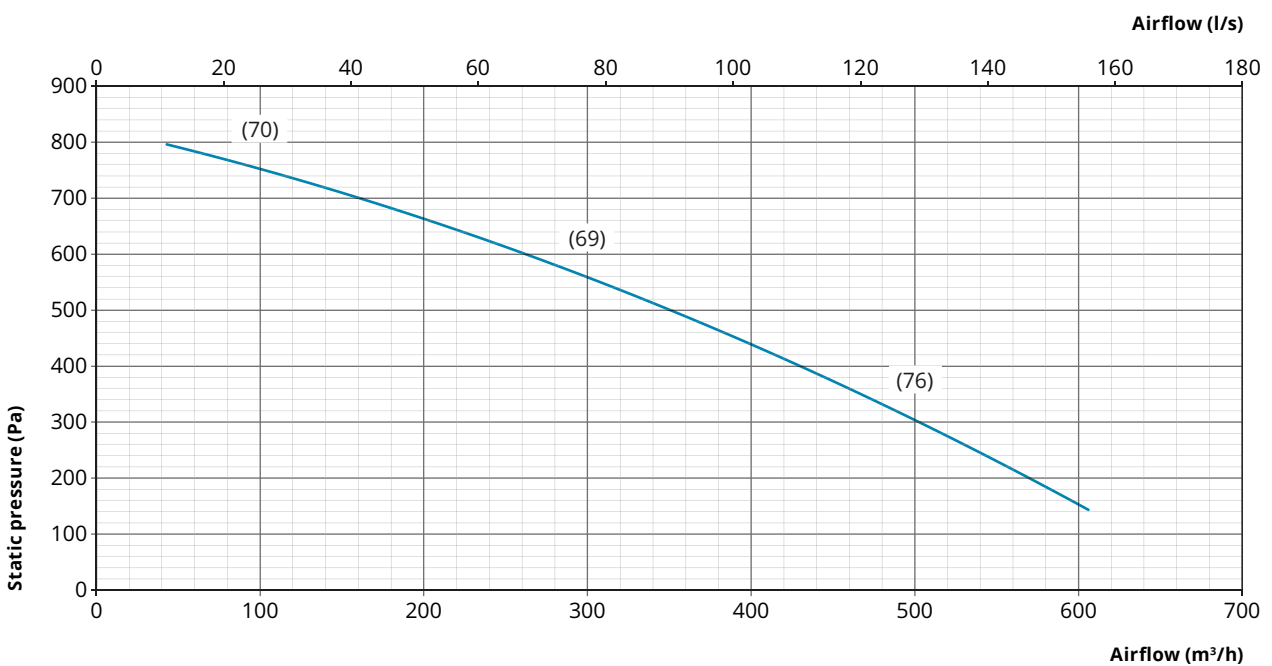
### Version (view from inlet side)

The fan is available as standard in the following versions:



■ Standardised delivery version

## Performance (Sound level in brackets)



Ambient fan noise, as measured 1 metre from fan dB(A).

## Specifications

### Form of delivery

The fan is supplied fully-equipped with a bracket for easy installation.

### Surface finishing

Sheet metal parts: Powder-coated and electro-galvanised

### Motor

3-phase or 1-phase asynchronous motor.

	<b>C 600-1</b>	<b>C 600-3</b>
Voltage:	1-phase 230 V	3-phase 230/400 V
Rated current:	1.8 A	1.1 A/0.65 A
Rated power:	0.25 kW	0.25 kW
Speed:	2,800 rpm	2,800 rpm
Enclosure:	IP55	IP55

### Production

Fan C 600 is manufactured in accordance with the following standards in the Machinery Directive:

- Machinery Directive 2006/42/EC
- EMC Directive 2014/30/EU
- EN ISO 12100:2010
- EN 60204-1

### Additional information

The operating temperature for C 600 is a maximum air temperature of 80 °C and a maximum ambient temperature of 40 °C.

### Weight (incl. bracket)

7,8 kg